



POWER SWITCH FOR STORAGE DC 6.0 SP

SAFE SUPPLY OF HOUSEHOLD AND FUNCTIONAL RELIABILITY OF PV SYSTEM IN CASE OF GRID FAILURE



high efficiency



back-up power supply



quick and easy installation



everything needed from one source

BACKUP POWER SUPPLY

- Provision of backup grid
- 1-phase supply
- Automatic switching in case of power failure
- Switch-on delay less than 3 seconds
- Battery and PV system can be used as energy source

EASY INSTALLATION

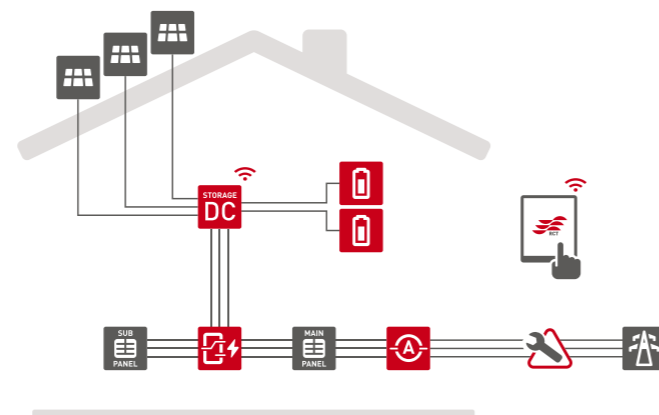
- Compact and lightweight housing
- Wall mounting
- Upgradeable

EFFICIENT

- Up to 6 kVA for single phase Storage DC 6.0 SP
- Fast switching

WHAT IS RCT BACKUP POWER?

In the event of a power failure, the RCT Power Switch ensures that the PV system and connected battery storage unit keep operational. The RCT Power Switch all-pole disconnects the domestic network from the mains supply. It then creates a stand-alone grid in combination with the DC-connected RCT Power storage system.



POWER SWITCH

BOX-SP

AC OUT (ON GRID)

Grid connection	1-phase
Rated voltage	230 V
AC frequency	50 Hz
AC output voltage range	184 ~265 V

AC OUT (BACK UP)

Load connection	1-phase
Rated voltage	230 V
AC frequency	50 Hz
Max apparent power	6000 VA
Max output current	26,1 A
Switch over time	< 3 S

AC INPUT (INVERTER)

Rated voltage	230 V
AC frequency	50 Hz

OTHERS

Operating temperature range	-25°C...+60°C
Relative humidity	0 % - 100 %
Type of installation	wall mounting
Dimensions (height x width x depth)	450 x 350 x 110 mm
Weight	11 kg

SAFETY / STANDARDS

IP-class	IP65
Standards	AS/NZS 61439-1/2/3, IEC/EN 61439-1/2/3

WARRANTY

Warranty	10 years
----------	----------

© RCT Power. Images may differ. Revisions reserved. 2024V1AU