



POWER BATTERY

5.0 | 7.5 | 10.0 | 12.5 | 15.0

MODULAR HIGH VOLTAGE OUTDOOR BATTERY FOR PV STORAGE SYSTEMS



environmentally friendly and safe LiFePO₄ battery



modular space saving design



easy to transport and install



everything needed from one source

HIGH EFFICIENCY

- LiFePO₄ technology
- 25 A charge & discharge capability
- High voltage, high efficiency, low stress operation
- Modern and space-saving design

EASY INSTALLATION

- Modular concept and simple wiring for easy transport and installation
- All components are lighter than 25 kg
- Master battery management system
- Plug & play

MONITORING VIA APP

- Powerful RCT RESS App
- Full data visualization
- Monitoring from every location
- Configuration options
- One click update

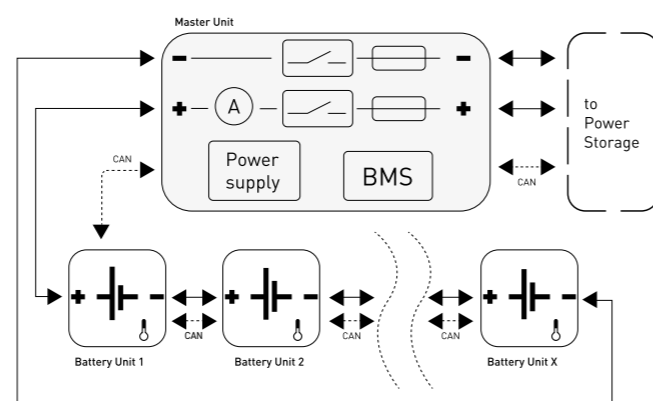
FLEXIBLE AND UPGRADEABLE

- 2 - 6 battery stacks
- Usable capacity scalable in increments of 2.25 kWh
- Upgradeable
- Suitable for back-up systems

SUSTAINABLE

- Lithium-iron-phosphate cell chemistry
- 10 years time value guarantee
- IP65 protection: Suitable for outdoor installation

BLOCK DIAGRAM



POWER BATTERY	5.0	7.5	10.0	12.5	15.0
---------------	-----	-----	------	------	------

ELECTRICAL PARAMETERS

Nominal capacity	5 kWh	7.5 kWh	10 kWh	12.5 kWh	15 kWh
Usable capacity (90% DoD)	4.5 kWh	6.75 kWh	9 kWh	11.25 kWh	13.5 kWh
Cycle Life (at 80% remaining capacity)	6000				
Voltage range	143 V ~ 168 V	214 V ~ 252 V	286 V ~ 336 V	357 V ~ 420 V	428 V ~ 504 V
Nominal voltage	154 V	230 V	307 V	384 V	461 V
Maximum charge / discharge current	25 A / 25 A	25 A / 25 A	25 A / 25 A	25 A / 25 A	25 A / 25 A
Standby consumption	< 5 W				

INTERFACES

Power Storage interface	CAN
-------------------------	-----

GENERAL

Battery technology	LiFePO ₄				
Dimensions (height x width x depth)	595x340x340 mm	820x340x340 mm	1045x340x340 mm	1270x340x340 mm	1495x340x340 mm
Weight (single module 24kg)	58 kg	83 kg	108 kg	133 kg	158 kg
Number of battery units	2	3	4	5	6
IP degree of protection	IP65				
Type of installation	floor stand				
Operating temperature range	-18 °C ~ +55 °C				
Connector type	Floating Connector / MC4 Evo2				

SAFETY / STANDARDS

Safety class	I
Certificates	CE, UN 38-3, EN/IEC 62619, EN/IEC 62133, EN/IEC 62040-1
EMC	EN61000-6-2, EN61000-6-3, EN61000-3-2, EN61000-3-3
Safety	EN/IEC 61010-1:2010

WARRANTY

Warranty	10 years
----------	----------

© RCT Power. Images may differ. Revisions reserved. 2024V1AU