




INTELLIGENT POWER STORAGE FROM ONE SOURCE.

Store your solar energy.
The sustainable way.
The best way.

 Technology and Design
Made in Germany

RCT 
power



SOLAR ENERGY IS OUR PASSION. WE STORE IT.

With a modular RCT Power electricity storage unit you store your solar power locally and use it whenever you need it. Flexible and sustainable.

INTELLIGENT POWER STORAGE FROM ONE SOURCE.



RCT POWER BATTERY-INVERTER HIGH EFFICIENCY

The hybrid inverter intelligently distributes the solar power, protects the battery and optimizes your yields.

RCT Power offers you high-quality DC coupled storage systems that can be combined with all common module types. The inverter is easily mounted on the wall. It is commissioned with the plug & play technique and set into operation via RCT RESS App.



RESILIENT AT ANY TIME.



Power your home during an outage with stored energy.



One-stop system solution.



Sustainable clean energy storage with solar power.

RCT POWER BATTERY GROWS WITH YOUR NEEDS

Energy storage for high demands. Upgradable.

The battery storage is elegant and modular. The storage capacity can be selected individually and subsequently expanded within the first 18 months of operation. The environmentally friendly LiFePO₄ battery technology offers maximum safety and durability.





SOLAR ENERGY WHENEVER YOU NEED IT.

The intelligent RCT Power Storage System ensures that solar power can be used when the sky is cloudy, at night or during power outages. Keeping your home safe and cozy.

During the day, when the sun shines, your photovoltaic system usually produces more energy than your household consumes. With a RCT Power Storage System you store your solar power locally and use it whenever you need it, including night-time and days with very low or no sunshine.

During a power outage the RCT Power Switch provides energy to important consumers. This back-up power functionality will increase your independence and will supply electricity from the battery to your house.

You use solar energy more sustainably and become more independent of external power suppliers. A perfect feeling.

The high-quality power storage units from RCT Power are among the most efficient battery storage systems on the market and have already received several efficiency awards. Efficiency matters: If you consider a high-efficiency rate when you purchase your power storage unit, you do not only save money but also actively contribute to climate protection!

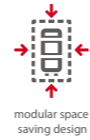
RCT Power is a technology leader in stationary storage solutions for domestic use. The brand has its origin in the city of Konstanz, Germany. We strongly believe that innovation, quality and superior customer service are the foundations for success. Our main focus in product development is always based on the simple and flexible design of reliable and sustainable solutions for our customers.



POWER BATTERY

3.8 | 5.7 | 7.6 | 9.6 | 11.5

MODULAR HIGH VOLTAGE INDOOR BATTERY FOR PV STORAGE SYSTEMS



HIGH EFFICIENCY

- LiFePO₄ technology
- 25 A charge & discharge capability
- High voltage, high efficiency, low stress operation
- Modern and space-saving design

EASY INSTALLATION

- Modular concept and simple wiring for easy transport and installation
- All components are lighter than 25 kg
- Master battery management system
- Plug & play

MONITORING VIA APP

- Powerful RCT RESS App
- Full data visualization
- Monitoring from every location
- Configuration options
- One click update

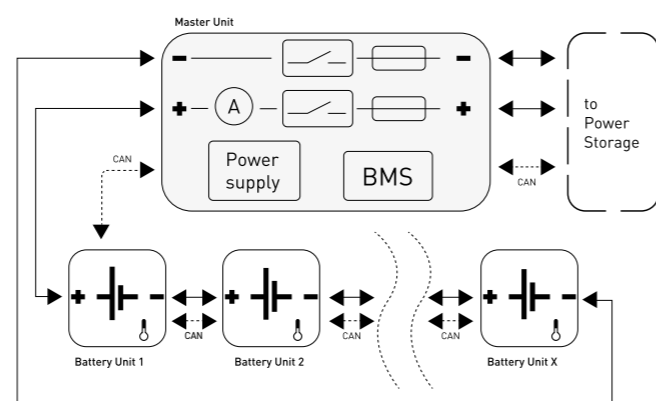
FLEXIBLE AND UPGRADEABLE

- 2 - 6 battery stacks
- Usable capacity scalable in increments of 1.7 kWh
- Upgradeable
- Suitable for back-up systems

SUSTAINABLE

- Lithium-iron-phosphate cell chemistry
- 10 years time value guarantee

BLOCK DIAGRAM



POWER BATTERY

3.8

5.7

7.6

9.6

11.5

ELECTRICAL PARAMETERS

Nominal capacity	3,84 kWh	5,76 kWh	7,68 kWh	9,60 kWh	11,52 kWh
Usable capacity (90% DoD)	3,46 kWh	5,18 kWh	6,91 kWh	8,64 kWh	10,37 kWh
Cycle Life (at 80% remaining capacity)	5000				
Voltage range	120 V ~ 173 V	180 V ~ 260 V	240 V ~ 346 V	300 V ~ 432 V	360 V ~ 520 V
Nominal voltage	154 V	230 V	307 V	384 V	461 V
Maximum charge / discharge current	25 A / 25 A	25 A / 25 A	25 A / 25 A	25 A / 25 A	25 A / 25 A
Standby consumption	< 5 W				

INTERFACES

Power Storage interface	CAN
-------------------------	-----

GENERAL

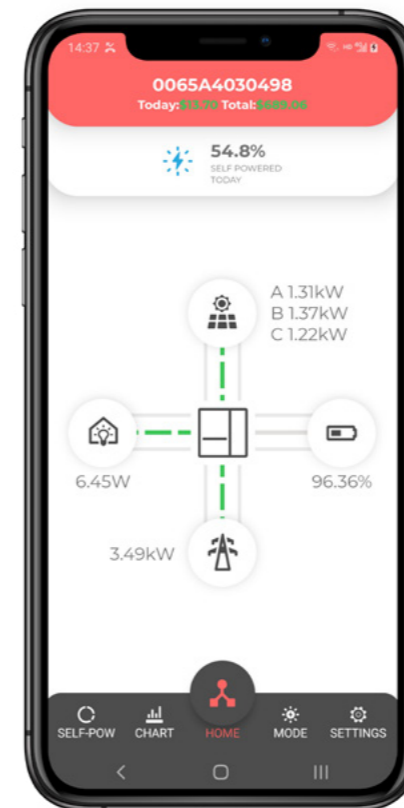
Battery technology	LiFePO ₄				
Dimensions (height x width x depth)	600x340x340 mm	830x340x340 mm	1060x340x340 mm	1290x340x340 mm	1520x340x340 mm
Weight (single module 24kg)	54 kg	78 kg	102 kg	126 kg	150 kg
Number of battery units	2	3	4	5	6
IP degree of protection	IP42				
Type of installation	floor stand / indoor				
Operating temperature range	-15 °C ~ +50 °C				
Connector type	Quick Contact MC4 Evo2				

SAFETY / STANDARDS

Safety class	I
Certificates	CE, UN 38-3, EN/IEC 62619, UN 38-3, UL1973, UL60730-1, UL9540A, EN/IEC 62040-1
EMC	EN61000-6-2, EN61000-6-3, EN61000-3-2, FCC Part 15B
Safety	UL1973, UL60730-1, UL9540A

WARRANTY

Warranty	10 years
----------	----------



RCT RESS APP

With the powerful RCT RESS App you can manage and control all functions of your storage system. Installation, maintenance and control are made easy. The App is a flexible tool and includes comprehensive data visualisation and various configuration options.





POWER BATTERY

5.0 | 7.5 | 10.0 | 12.5 | 15.0

MODULAR HIGH VOLTAGE OUTDOOR BATTERY FOR PV STORAGE SYSTEMS



environmentally friendly and safe LiFePO₄ battery



modular space saving design



easy to transport and install



everything needed from one source

HIGH EFFICIENCY

- LiFePO₄ technology
- 25 A charge & discharge capability
- High voltage, high efficiency, low stress operation
- Modern and space-saving design

EASY INSTALLATION

- Modular concept and simple wiring for easy transport and installation
- All components are lighter than 25 kg
- Master battery management system
- Plug & play

MONITORING VIA APP

- Powerful RCT RESS App
- Full data visualization
- Monitoring from every location
- Configuration options
- One click update

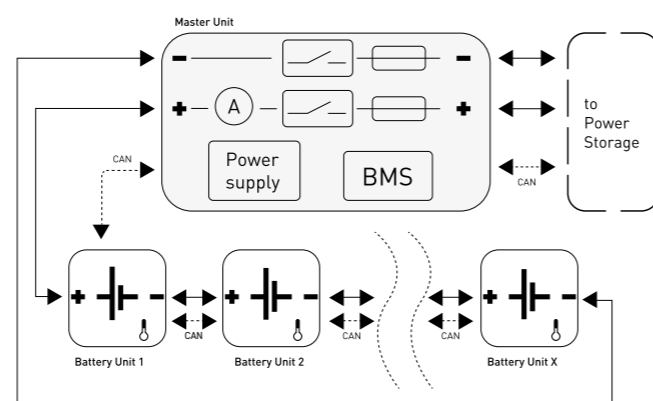
FLEXIBLE AND UPGRADEABLE

- 2 - 6 battery stacks
- Usable capacity scalable in increments of 2.25 kWh
- Upgradeable
- Suitable for back-up systems

SUSTAINABLE

- Lithium-iron-phosphate cell chemistry
- 10 years time value guarantee
- IP65 protection: Suitable for outdoor installation

BLOCK DIAGRAM



POWER BATTERY

5.0

7.5

10.0

12.5

15.0

ELECTRICAL PARAMETERS

Nominal capacity	5 kWh	7.5 kWh	10 kWh	12.5 kWh	15 kWh
Usable capacity (90% DoD)	4.5 kWh	6.75 kWh	9 kWh	11.25 kWh	13.5 kWh
Cycle Life (at 80% remaining capacity)	6000				
Voltage range	143 V ~ 168 V	214 V ~ 252 V	286 V ~ 336 V	357 V ~ 420 V	428 V ~ 504 V
Nominal voltage	154 V	230 V	307 V	384 V	461 V
Maximum charge / discharge current	25 A / 25 A	25 A / 25 A	25 A / 25 A	25 A / 25 A	25 A / 25 A
Standby consumption	< 5 W				

INTERFACES

Power Storage interface	CAN
-------------------------	-----

GENERAL

Battery technology	LiFePO ₄				
Dimensions (height x width x depth)	595x340x340 mm	820x340x340 mm	1045x340x340 mm	1270x340x340 mm	1495x340x340 mm
Weight (single module 24kg)	58 kg	83 kg	108 kg	133 kg	158 kg
Number of battery units	2	3	4	5	6
IP degree of protection	IP65				
Type of installation	floor stand				
Operating temperature range	-18 °C ~ +55 °C				
Connector type	Floating Connector / MC4 Evo2				

SAFETY / STANDARDS

Safety class	I
Certificates	CE, UN 38-3, EN/IEC 62619, EN/IEC 62133, EN/IEC 62040-1
EMC	EN61000-6-2, EN61000-6-3, EN61000-3-2, EN61000-3-3
Safety	EN/IEC 61010-1:2010

WARRANTY

Warranty	10 years
----------	----------



POWER STORAGE DC 6.0 SP

DC-COUPLED HYBRID OUTDOOR INVERTER FOR RESIDENTIAL AND COMMERCIAL PV SYSTEMS



high efficiency



up to 3 roof orientations



quick and easy installation



everything needed from one source

HIGH EFFICIENCY

- Three independent MPP-trackers
- Input for high voltage battery
- Suitable for dynamic power adjustment
- Intelligent energy storage management with forecast based charging
- Exact and fast control behaviour

UNIQUE FLEXIBILITY

- 1-phase feed-in
- Up to 2 high voltage batteries per inverter
- Wide MPP range for flexible string planning and easy repowering
- Max-Power Control - self-learning shade management
- Cascadable, expandable and combinable with existing PV-systems
- Hybrid-ready charging of the battery also with external AC sources
- Emergency power capability in conjunction with the RCT Power Switch
- Simple design with the RCT Power Designer - design tool

EASY INSTALLATION

- DC and AC connection with plug & play
- Integrated RCT RESS App solution

USER FRIENDLY COMMUNICATION

- LAN and WLAN
- RCT Power Portal for user-friendly system monitoring
- Suitable for wallbox chargers, heating elements, heat pumps and energy management systems

INNOVATIVE DESIGN

- Silent, maintenance free cooling
- Durable aluminium housing
- With 22 kg a lightweight in its category
- IP65 protection: Suitable for outdoor installation

POWER STORAGE DC

6.0 SP

DC INPUT

Max. recommended DC power	9300 W
MPPT	3
Input per MPPT	1
Max. DC current per MPPT	14 A
Max. Short circuit current PV input (Iscmax)	20 A
Rated DC voltage	360 V
DC start up voltage / power	120 V / 50W
MPP voltage range	80 V ... 520 V
Max. voltage DC	600 V
Connector type	Phoenix XLIX

BATTERY INPUT

DC Voltage range	120 V ... 520 V
Max. charge / discharge current	25 A / 25 A
Number of battery input	2
Connector-type	MC4 Evo2

AC OUTPUT (GRID-MODE)

Grid connection	1 phase
Real AC output power	6000 W
Max. active power	6000 W
Max. apparent power	6000 VA
Max. AC input apparent power from grid	3000 VA
Nominal AC current per phase	26,1 A
Max. AC current per phase	26,1 A
Rated frequency	50 Hz
Frequency range	45 Hz ... 55 Hz
Rated AC voltage	230 V, L/N/PE
AC voltage range	184 ... 265 V
Total harmonic distortion (THD)	< 3 %
Reactive power factor (cos phi)	1 (adjustable range 0,8 cap...0,8 ind)
Earth fault protection	RCD
Type of AC connection	quick connection plug

AC OUTPUT (BACK-UP MODE)*

Max. AC output apparent power	6000 VA
Rated AC voltage	230 V, L/N/PE
Max. AC output current	26,1 A
Rated frequency	50 HZ

PERFORMANCE

Stand-by consumption	< 5 W
Max. efficiency (PV2AC)	97,1 %
Max. efficiency (Battery2Grid)	97,1 %
European weighted efficiency	96,6 %
Topology	transformerless

OTHERS

Dark start function	yes
PV disconnect switch	integrated
Data interface	BAT/CAN, WLAN, LAN, RS485
Display	LED indicator
Cooling	convection
IP degree of protection	IP 65
Max. operating altitude	4000 m
Max. relative humidity	0 - 100 %
Typical noise	< 30 dB
Operating temperature range	-25°C ... 60°C (derating above 45°C)
Dimensions (height x width x depth)	445 x 605 x 165 mm
Weight	22 kg

SAFETY / STANDARDS

Safety	IEC 62109 or AS/NZS 62109
Grid support regulation	AS/NZS 4777.2
EMC	IEC 61000
Safety- Storage System	IEC 62619, ANS/NZS 62368, IEC 61000

WARRANTY

Warranty	10 years
----------	----------



POWER SWITCH FOR STORAGE DC 6.0 SP

SAFE SUPPLY OF HOUSEHOLD AND FUNCTIONAL RELIABILITY OF PV SYSTEM IN CASE OF GRID FAILURE



high efficiency



back-up power supply



quick and easy installation



everything needed from one source

BACKUP POWER SUPPLY

- Provision of backup grid
- 1-phase supply
- Automatic switching in case of power failure
- Switch-on delay less than 3 seconds
- Battery and PV system can be used as energy source

EASY INSTALLATION

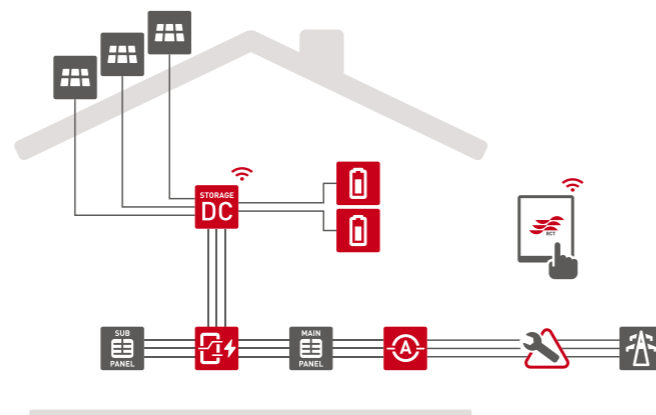
- Compact and lightweight housing
- Wall mounting
- Upgradeable

EFFICIENT

- Up to 6 kVA for single phase Storage DC 6.0 SP
- Fast switching

WHAT IS RCT BACKUP POWER?

In the event of a power failure, the RCT Power Switch ensures that the PV system and connected battery storage unit keep operational. The RCT Power Switch all-pole disconnects the domestic network from the mains supply. It then creates a stand-alone grid in combination with the DC-connected RCT Power storage system.



POWER SWITCH

BOX-SP

AC OUT (ON GRID)

Grid connection	1-phase
Rated voltage	230 V
AC frequency	50 Hz
AC output voltage range	184 ~265 V

AC OUT (BACK UP)

Load connection	1-phase
Rated voltage	230 V
AC frequency	50 Hz
Max apparent power	6000 VA
Max output current	26,1 A
Switch over time	< 3 S

AC INPUT (INVERTER)

Rated voltage	230 V
AC frequency	50 Hz

OTHERS

Operating temperature range	-25°C...+60°C
Relative humidity	0 % - 100 %
Type of installation	wall mounting
Dimensions (height x width x depth)	450 x 350 x 110 mm
Weight	11 kg

SAFETY / STANDARDS

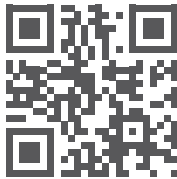
IP-class	IP65
Standards	AS/NZS 61439-1/2/3, IEC/EN 61439-1/2/3

WARRANTY

Warranty	10 years
----------	----------

STORAGE SYSTEMS RETHOUGHT.

Germany's #1 Technology.
Now available in Australia.



WWW.RCT-POWER.AU